



GARDEN
PARADISE **PLANTERS**

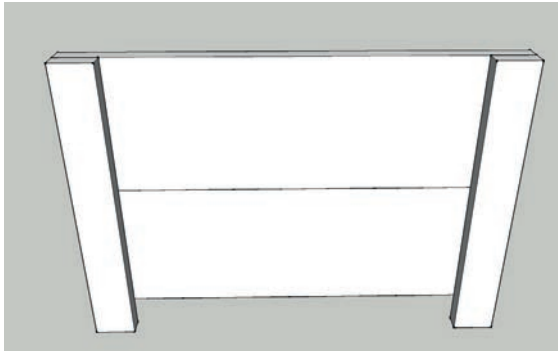
www.gardenparadise.net



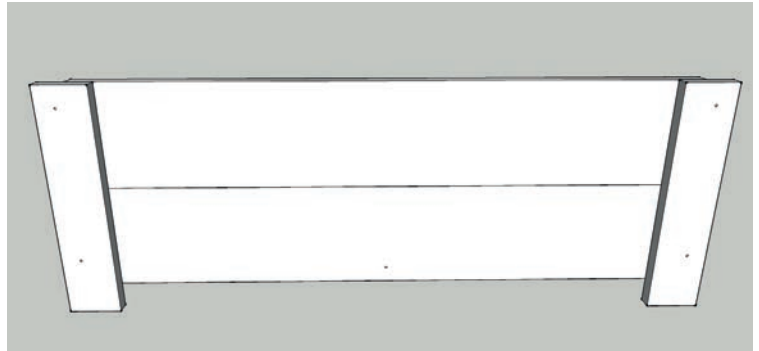
Organic Planter Box
Models 900/600

Instruction Manual

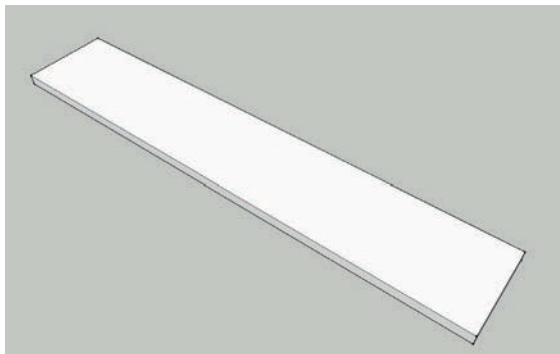
Pack Contents for a Organic Planter Box - Model 900



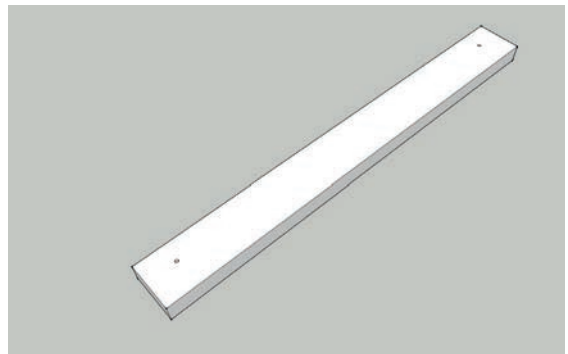
2 x End Panels



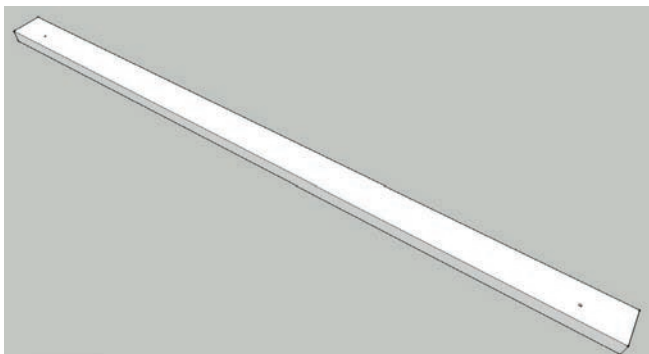
2 x Side Panels



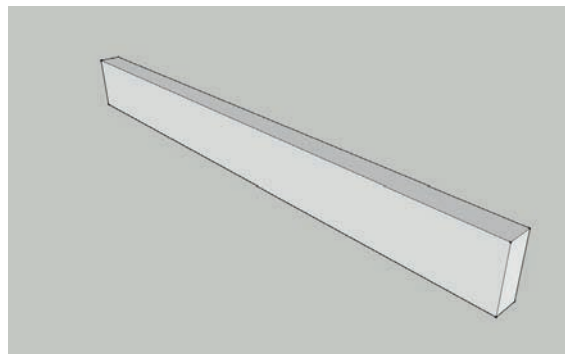
3 x Base Planks



2 x Top End Capping Planks



2 x Top Side Capping Planks

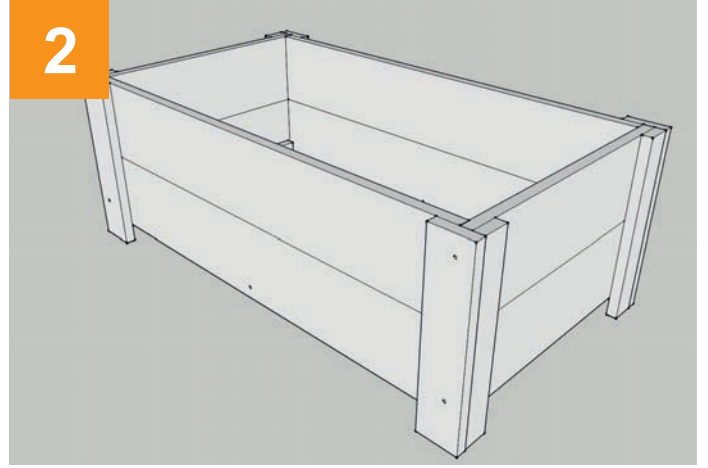
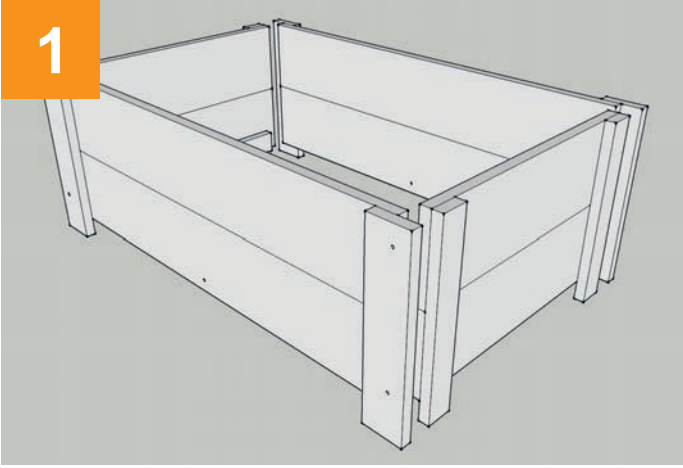


1 x Base Support

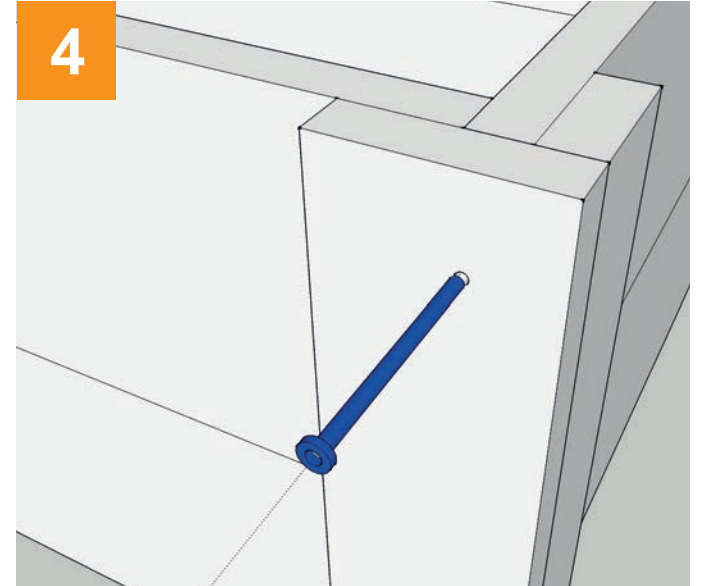
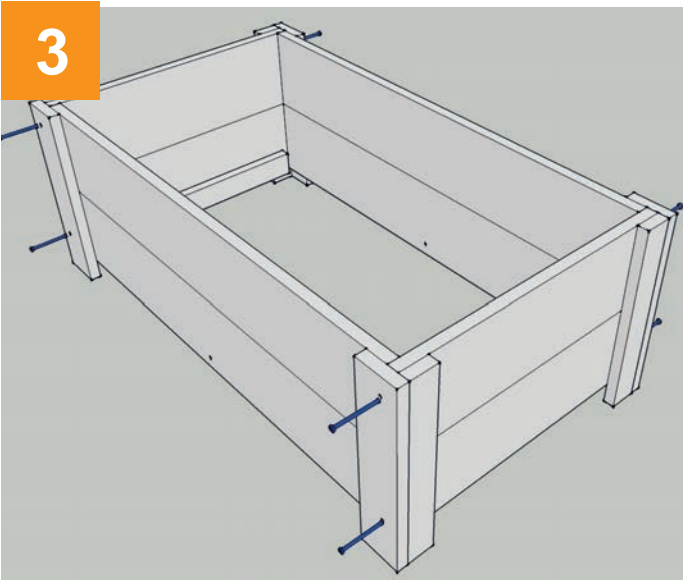


18 x Screws

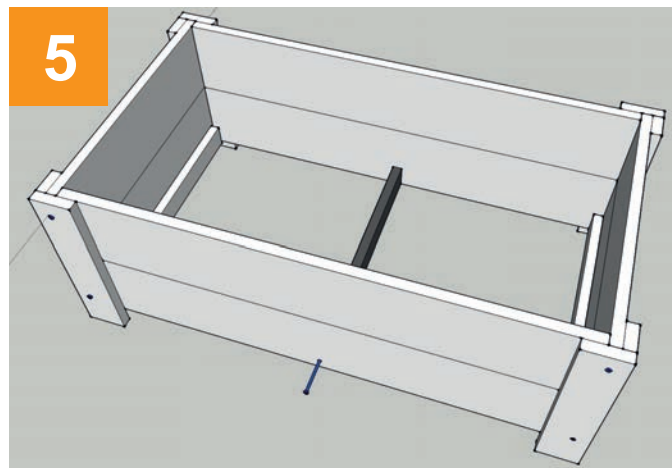
Tools required: No.2 Pozidrive Screwdriver/Cordless Screwdriver



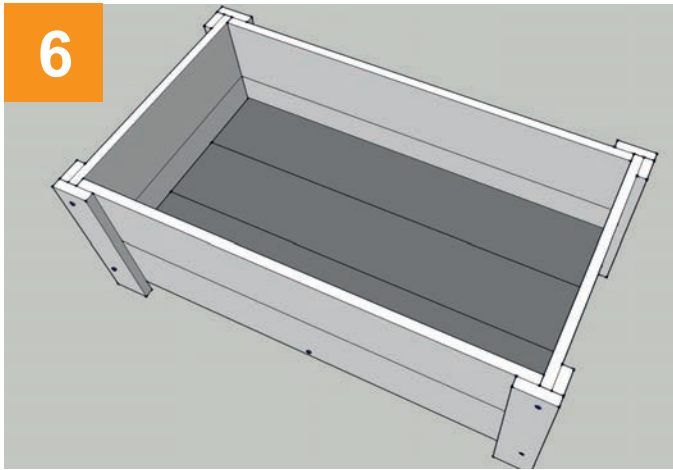
1. Locate the two end panels and side panels.



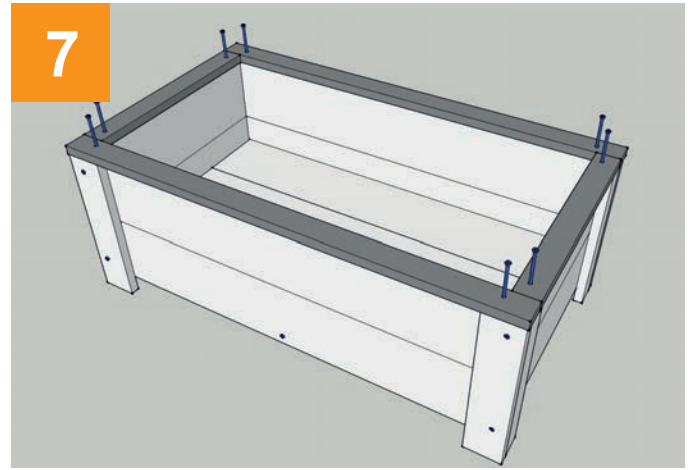
4. Make sure you insert the screws straight.



5. Insert the base plank support (900 Model only).

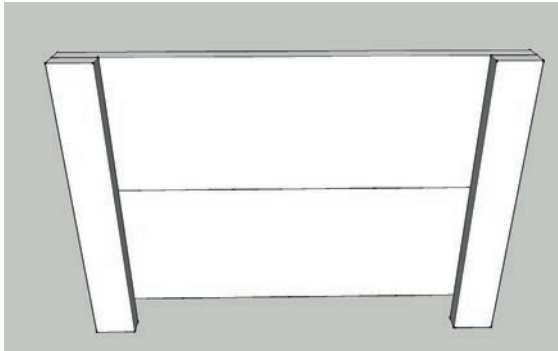


6. Insert the three base planks.

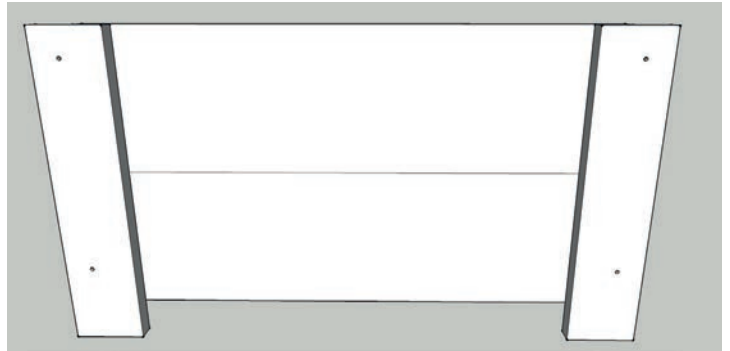


7. Screw the top capping on straight, pay attention to the hole positions.

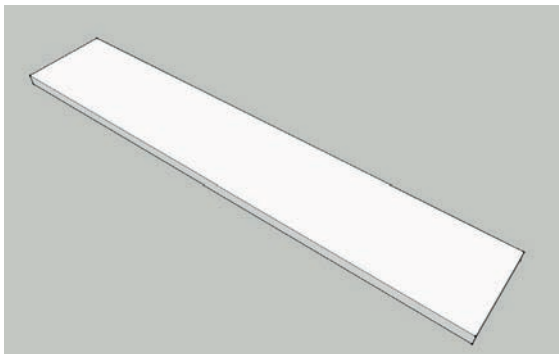
Pack Contents for a Organic Planter Box - Model 600



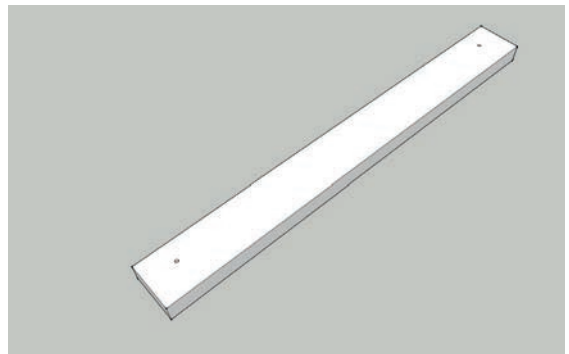
2 x End Panels



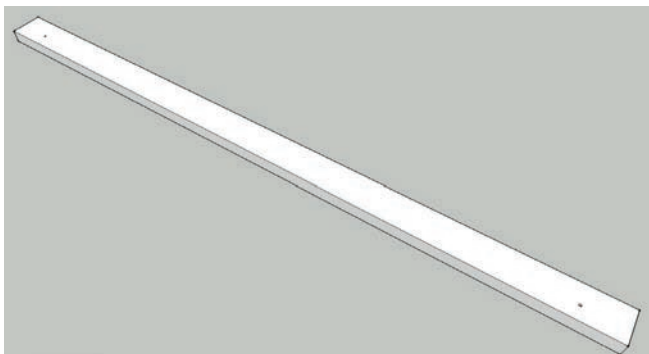
2 x Side Panels



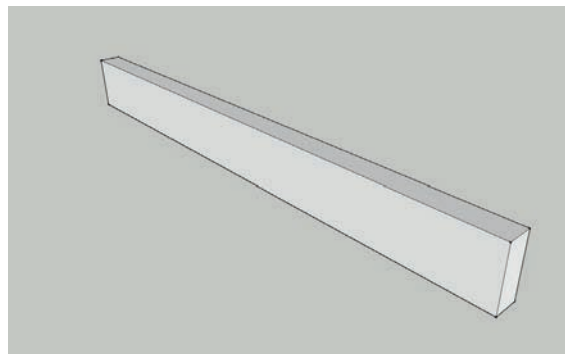
3 x Base Planks



2 x Top End Capping Planks



2 x Top Side Capping Planks

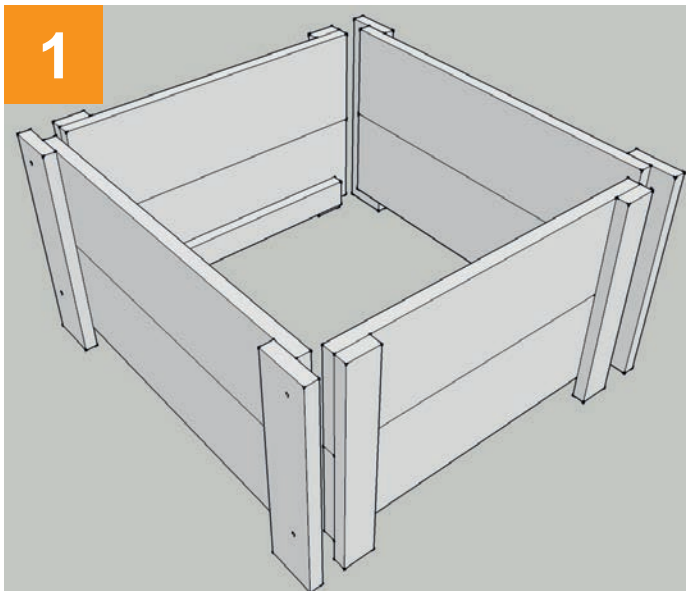


1 x Base Support

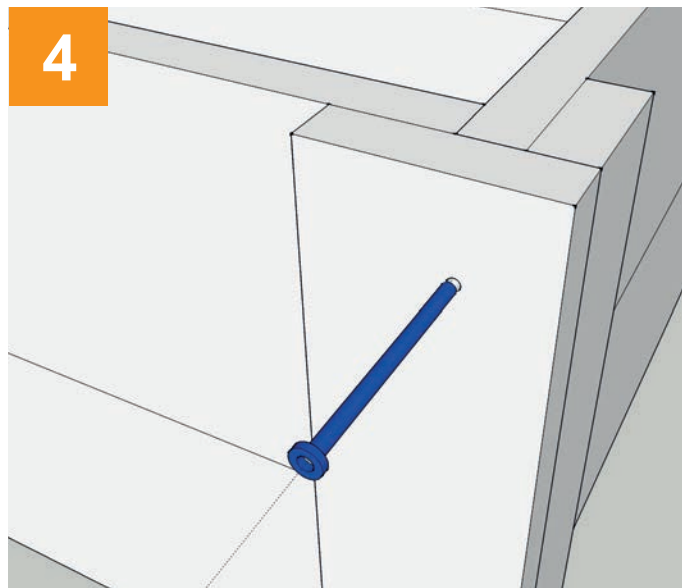
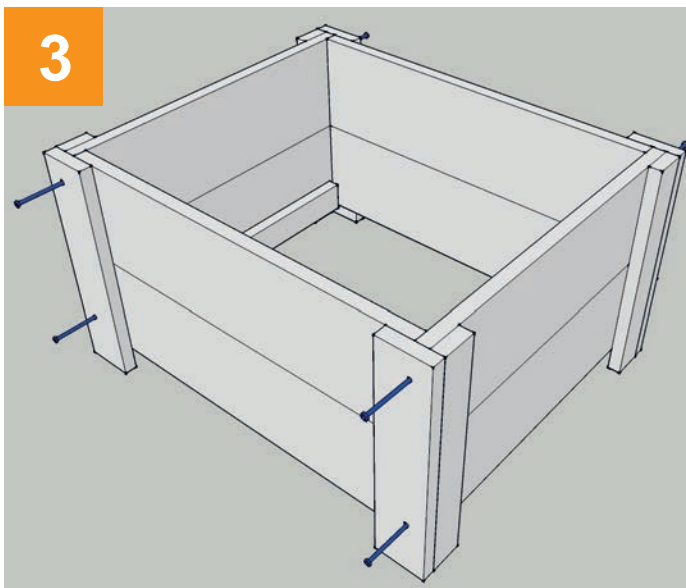
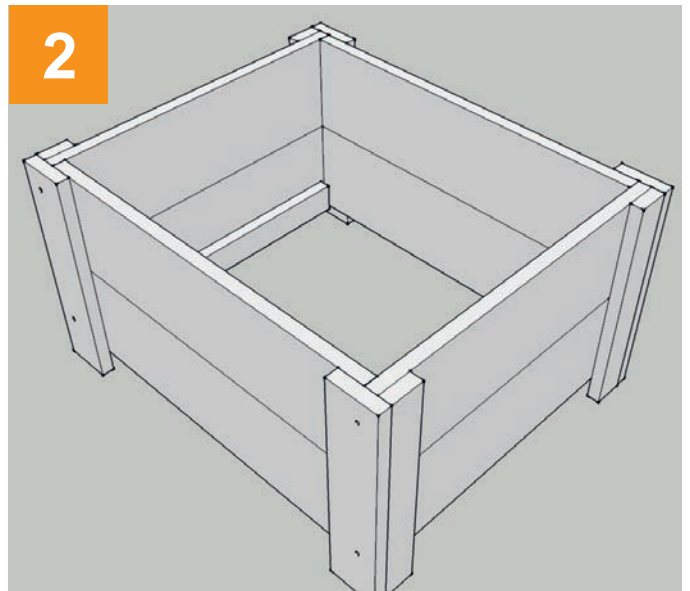


16 x Screws

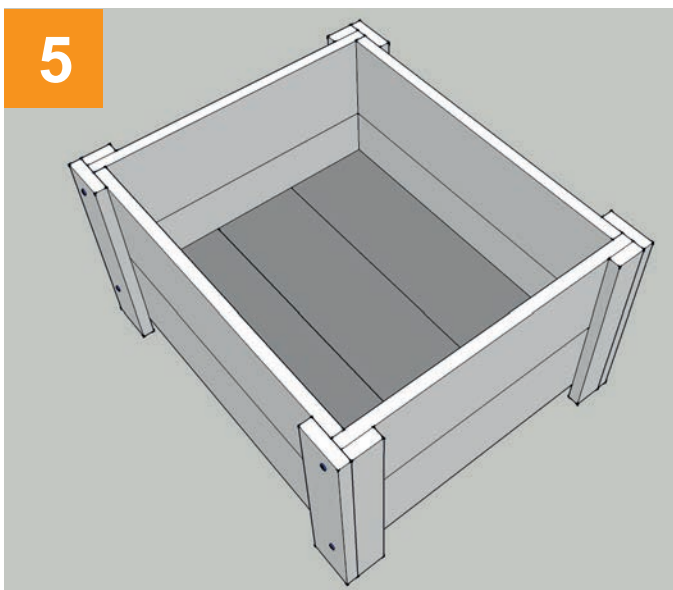
Tools required: No.2 Pozidrive Screwdriver/Cordless Screwdriver



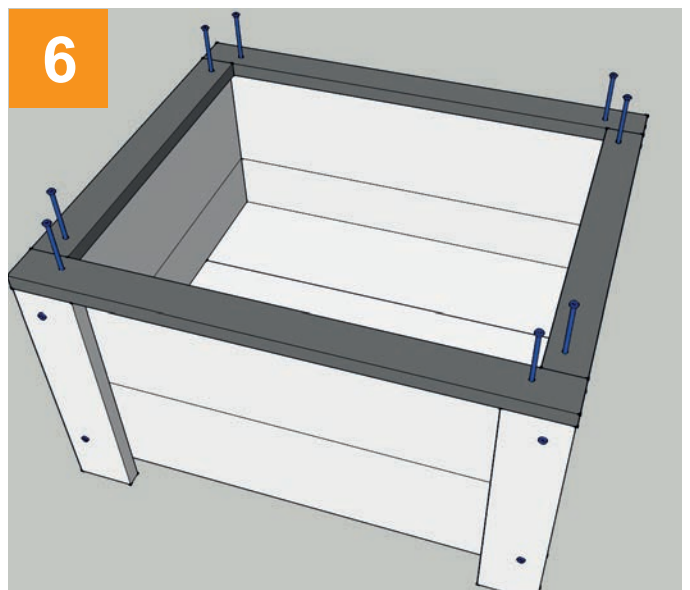
1. Locate the two end panels and side panels.



4. Make sure you insert the screws straight.



5. Insert the 3 base planks.



6. Screw the top capping on straight, pay attention to the hole positions.

Garden Paradise Organic Wood Treatment

The wooden elements of the product you have purchased are intentionally left untreated with any kind of preservative. This is in order to not compromise their use in organic crop production. If the product is not specifically being used in this way, Garden Paradise strongly advise that all the external surfaces of

the wood are treated with wood preservative to maximize the longevity and enhance the aesthetics of the grain. Garden Paradise recommend the use of a non-toxic product and would advise that the supplier's instructions are closely followed for both preparation and application.





Perimeter House
Napier Road
St Leonards-on-Sea
East Sussex
TN38 9NY
Tel: 0800 043 0880

