



GARDEN PARADISE

www.gardenparadise.net

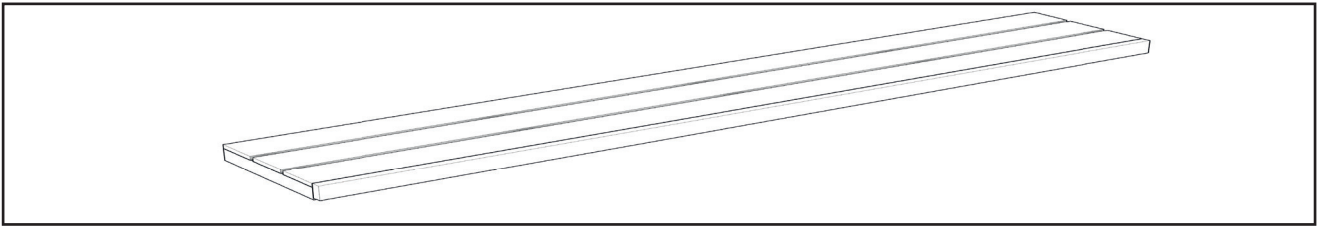


Deluxe 1.8m Narrow Wooden Log Store

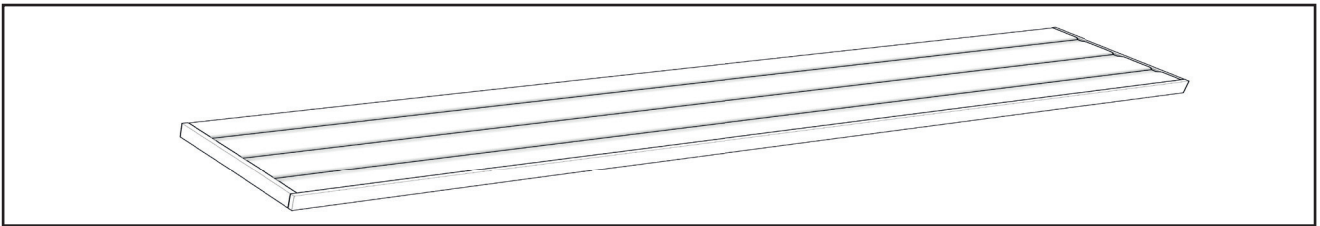
Installation Manual

Deluxe 1.8m Narrow Wooden Log Store

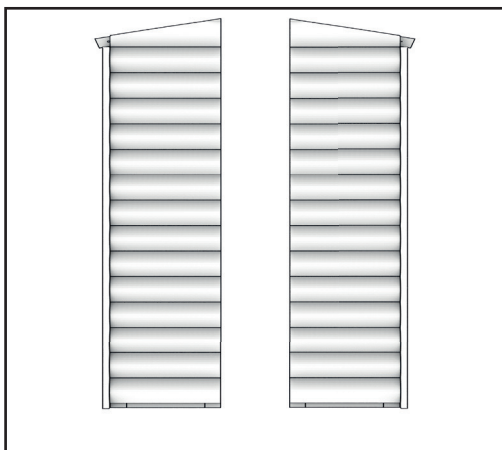
Contents



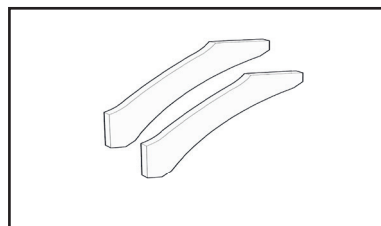
1 x Floor Panel



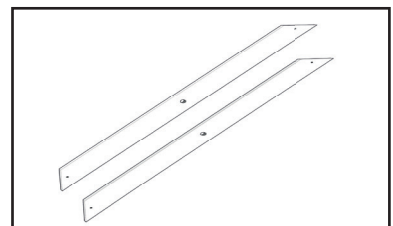
1 x Roof Panel



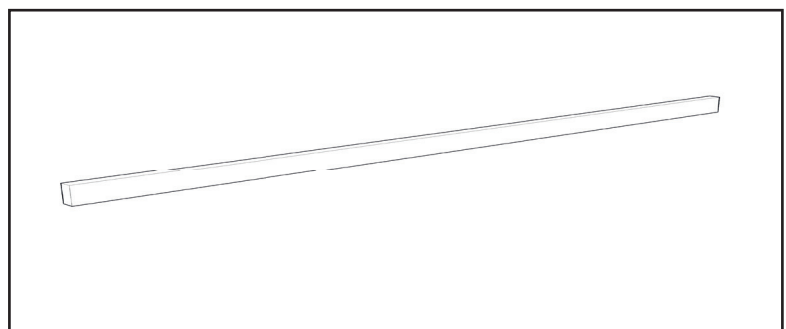
**1 x Left Wall Panel
1 x Right Wall Panel**



2 x Front Supports



2 x Rear Supports



1 x Cross Member

Tools Required

Pozidrive no. 2 screwdriver/cordless screwdriver

Pilot drill bit 2-3mm



Deluxe 1.8m Narrow Wooden Log Store

Introduction

Please take time to read these instructions prior to installing your Wooden Log Store. This will help you understand the product and prevent mistakes being made.

Natural Timber Characteristics

Whilst we try to ensure that our timber products reach you in perfect condition, we have to remember we are dealing with a natural material and there are many characteristics which can arise.

These are completely normal and have no detrimental affect on the product. We also manufacture our products so that most natural defects are inside the product where you wouldn't see them. Wood is a living material and once cut, the appearance of cracks, slight movements or changes in colour are normal.

Shake appears like a series of splits. With a timber section of this size, you will always encounter some degree of this (usually on one side). This does not affect the strength of the product and you will find the shake opens in

continued warm weather and then closes up when the weather is wet and cooler or there is a lot of moisture in the air.

Pith is similar to **Shake** and they are quite often found alongside each other. Most of this is typically machined to be on the inside of the product.

Knots are typically found in timber. These are not generally an issue and can actually be beneficial relieving stress points in timber. In many people's opinion these add character to the products.

Cupping is mainly caused by the treatment of the timber. Where timber is kiln dried and then pressure treated it can cause cupping. Although we do limit this, it should not affect the product.

Kit Contents

As you unpack your Log Store make sure that you have all parts required and that their condition is satisfactory. Contact our support team if you believe parts are missing or damaged.

Warning

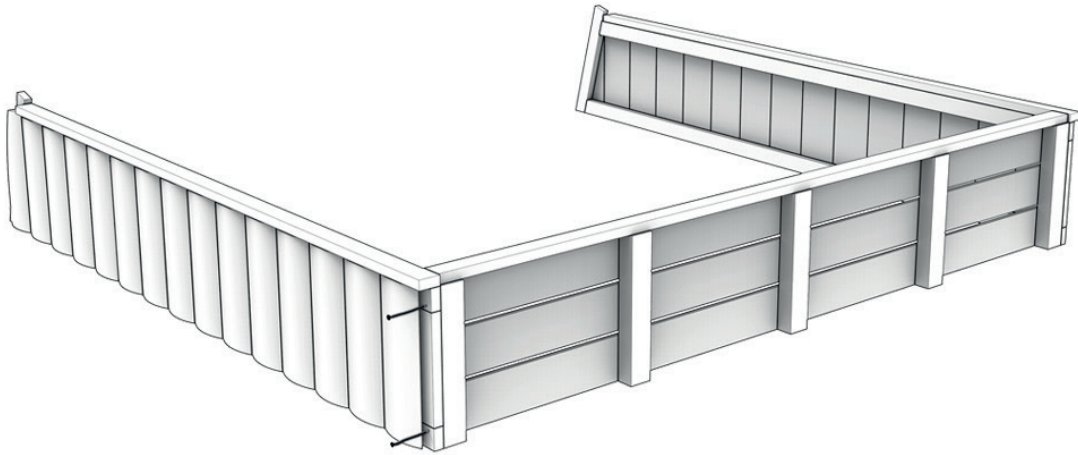
- **Risk to young children from enclosed small objects.**
- **Risk of injury or fatal crushing if loaded product tips.**
Ensure product is on flat, level, suitable ground.
- **Safety glasses and gloves should be worn whilst assembling.**
- **Two people may be required to assist with assembling until product is self-supporting.**



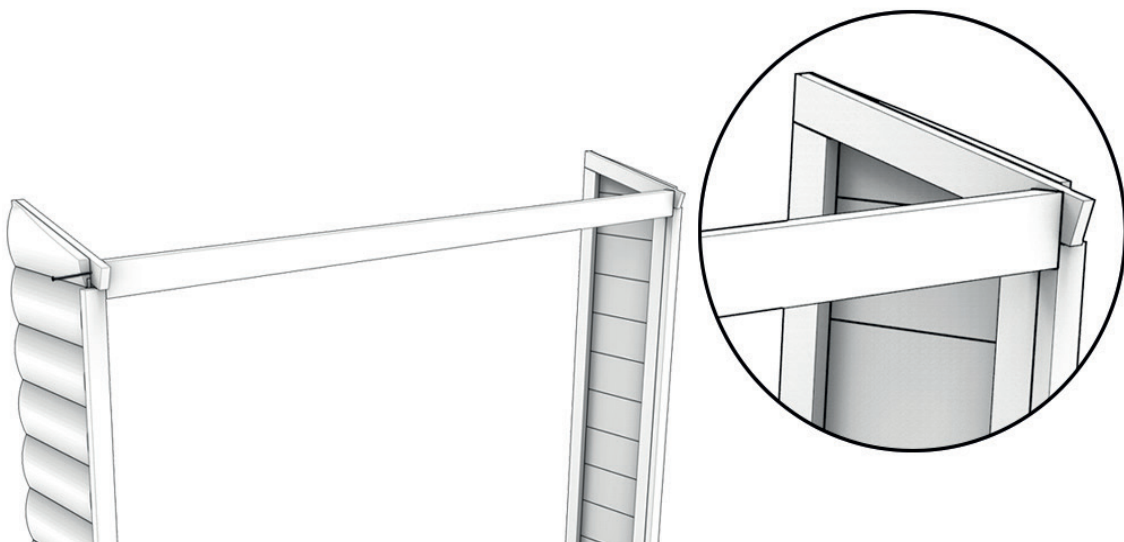
At every point of manufacturing this product, care has been taken to provide quality and satisfaction to our customers. If any part of this kit is missing or damaged then you must contact our support team on **0800 043 0880** before proceeding with assembly of this product.

Deluxe 1.8m Narrow Wooden Log Store

1. Screw the two side panels to the base, using the 65mm coated screws provided(2 screws per side).
You may need a spare pair of hands to help you with this.

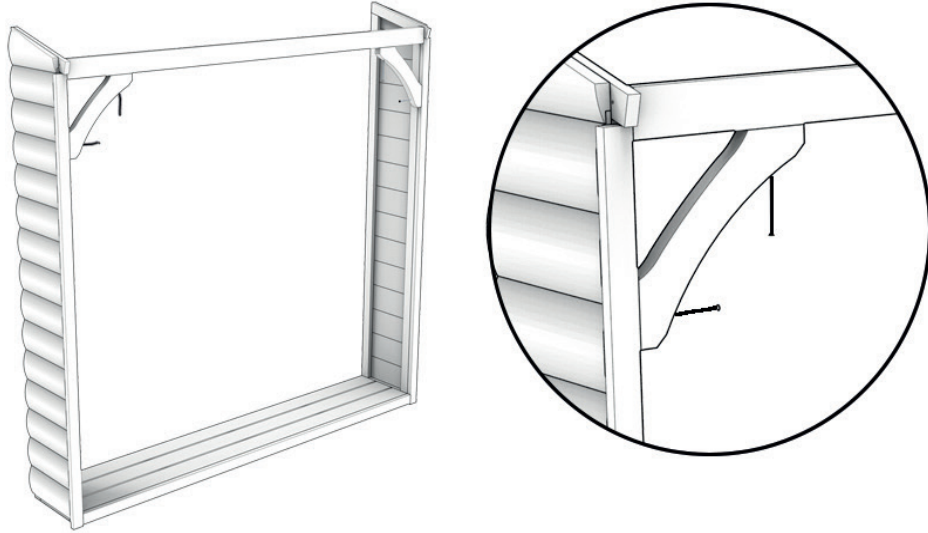


2. Using the longer 75mm screws supplied, fix the top cross member in place flush with the front edge of the side panel and level with the top edge.

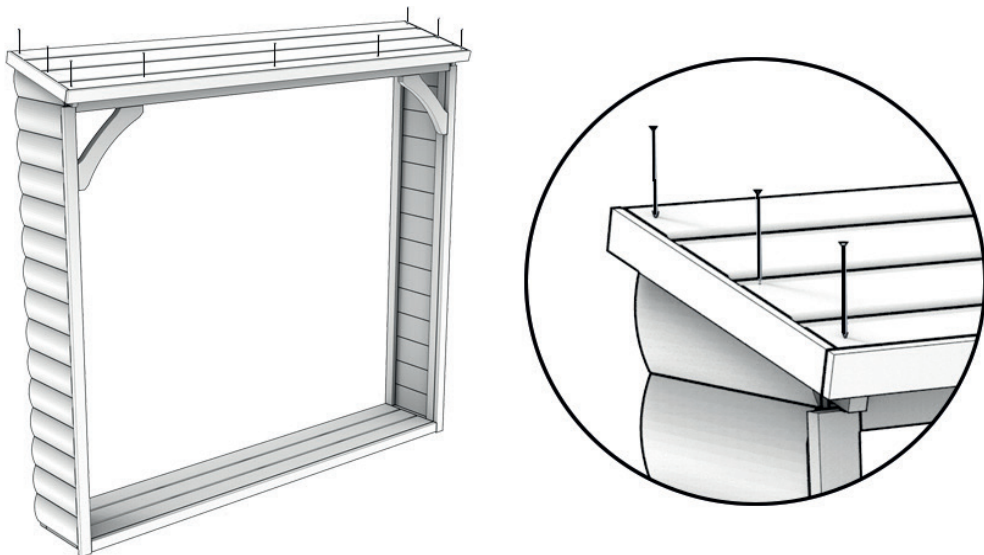


Deluxe 1.8m Narrow Wooden Log Store

3. Using the 75mm screws attach the decorative brackets in place.

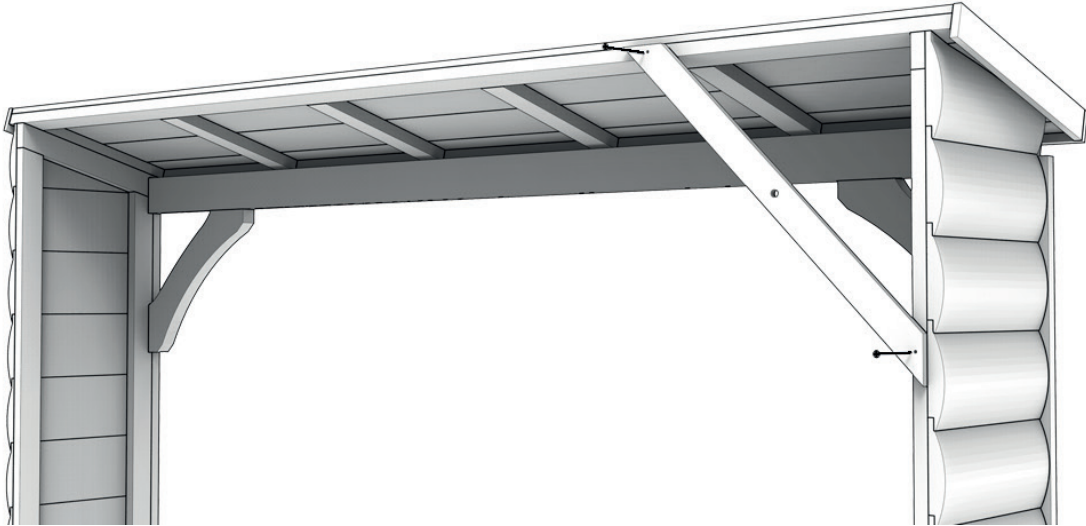


4. Carefully screw the roof to the side panels and the front cross member. Use approximately 3 screws on the side and 3 screws across the front.

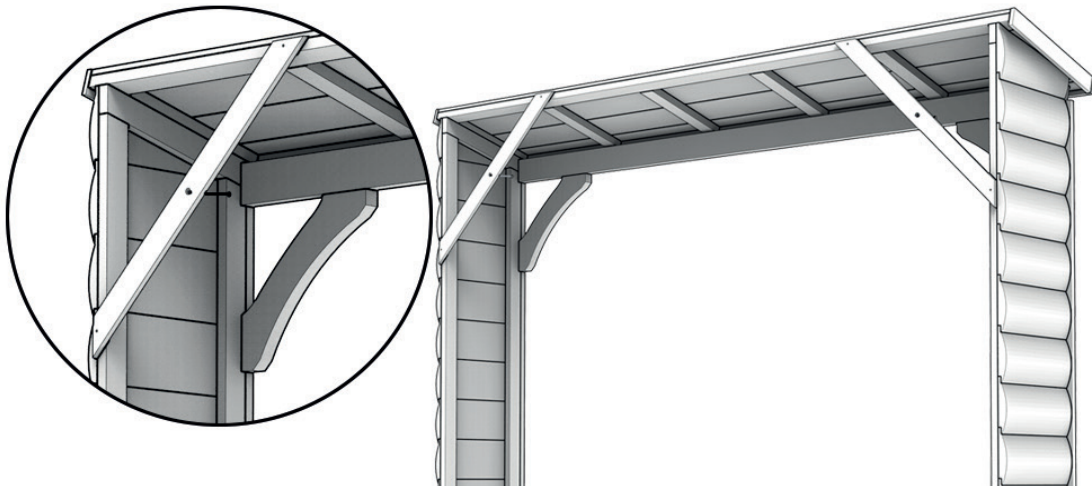


Deluxe 1.8m Narrow Wooden Log Store

5. Using the 50mm screws attach the angled brackets to the side panel and roof panel.



6. These angled brackets **MUST** then be drilled and secured to a wall or building using the screws and raw plugs provided. This is to prevent toppling



Deluxe 1.8m Narrow Wooden Log Store



GARDEN PARADISE

www.gardenparadise.net



Made in the UK



Garden Paradise
Perimeter House
Napier Road
St Leonards-on-Sea
East Sussex
TN38 9NY
Tel: 0800 043 0880