

# Plastica Order Form for Winter Debris Covers

Date .....  
 Company .....  
 Address .....  
 .....  
 .....  
 Tel. No. ....  
 Fax. No. ....

- Request for quotation  
 An order  
 Confirmation of telephone order

- Normal delivery  
 Overnight  
 Our Truck

Your ref./order no. ....

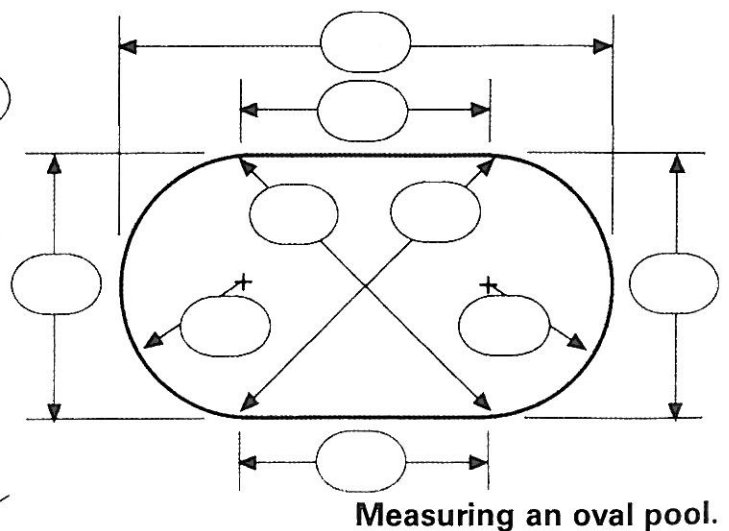
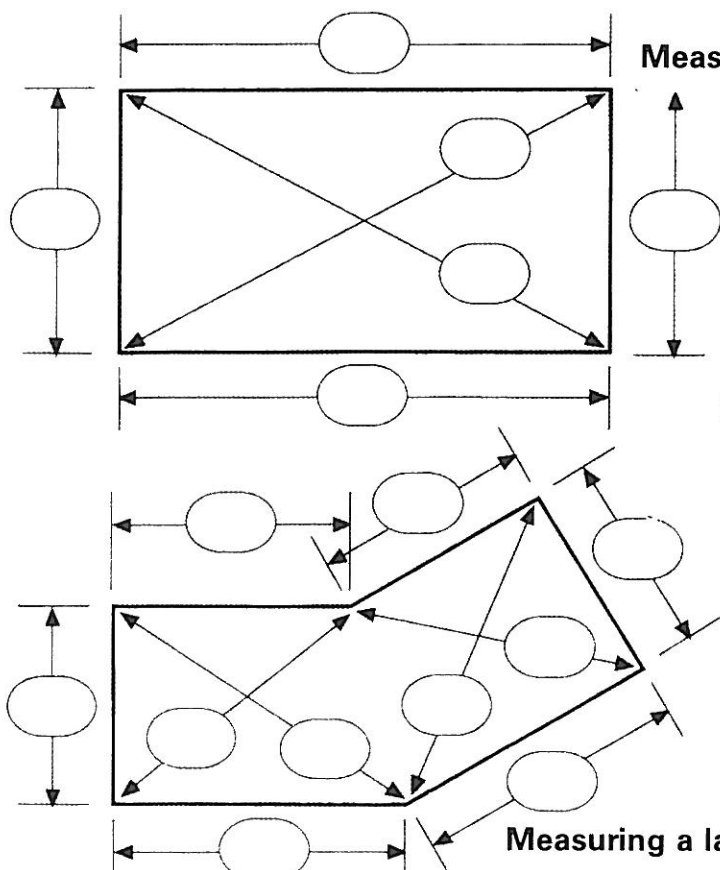
## General Pool Cover Details

- Type of cover -**                      Plastica Winter Debris Cover   
    Plastica Winter Debris Cover criss-cross
- Type of fixing -**                      Deluxe springs   
    Brass 'flush fix' anchors with springs   
    Standard fixings 'P' buckle + 'D' ring   
    12" stainless steel ground pegs + buckles +  
    'D' rings for fixing into grass areas.

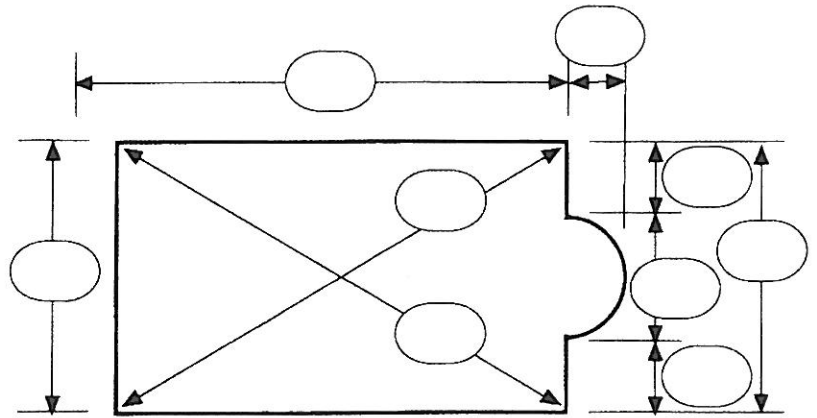
## Pool Shape and Measurements

Please use this form in conjunction with the booklet from Plastica 'How to Measure for a Winter Debris Cover', it contains valuable information on how to measure for parapet walls, raised walls, ladder cut-outs, statue / fountain cut-outs, etc..

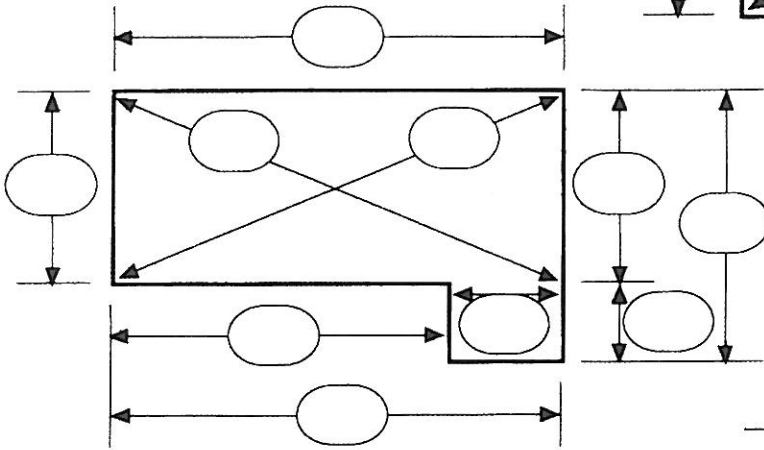
Always measure pool water surface area. Plastica will allow overlap, normally 0.3m (12"). Always check diagonals. Remember to add dimensions to all boxes for relevant pool shape.



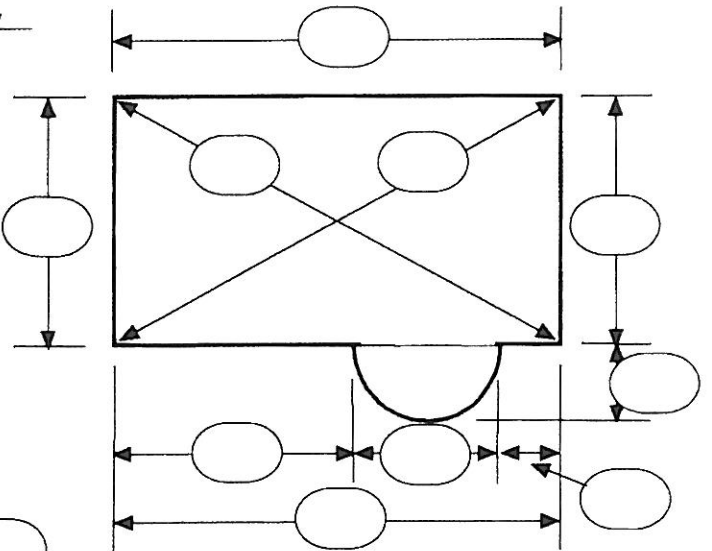
Measuring a rectangular pool with a roman end at one end.



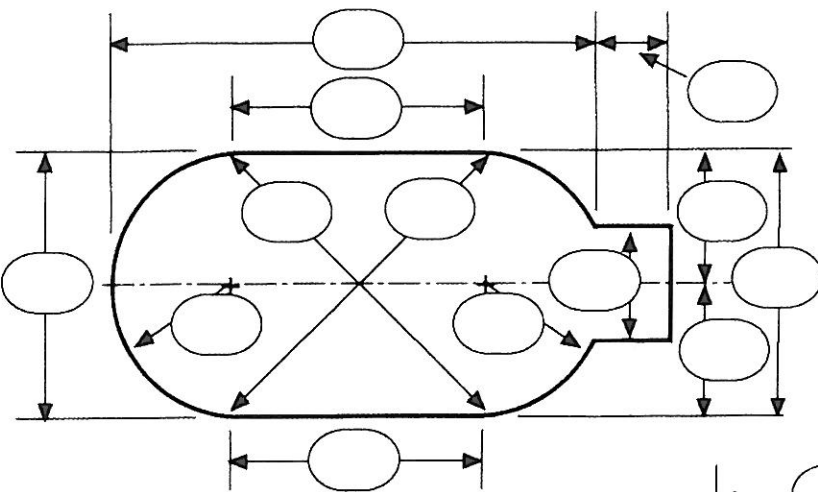
Measuring a rectangular pool with a bay on one side.



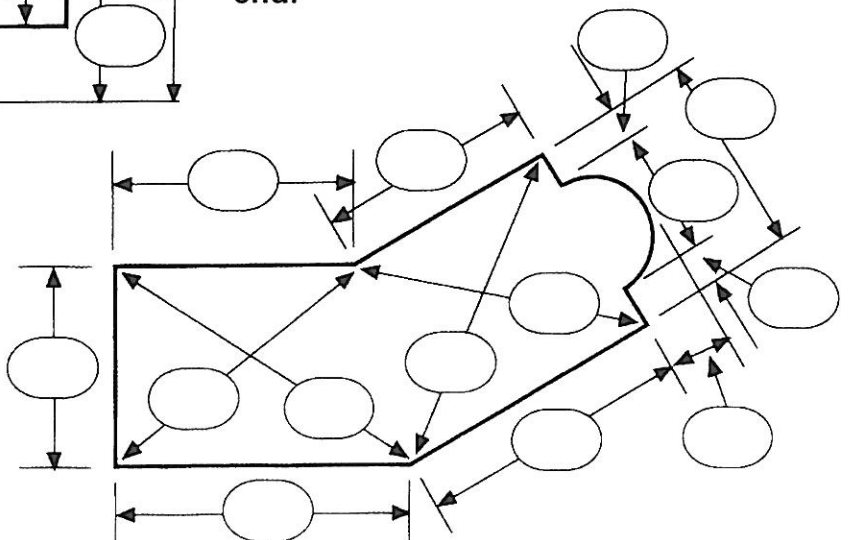
Measuring a rectangular pool with a roman end on one side.

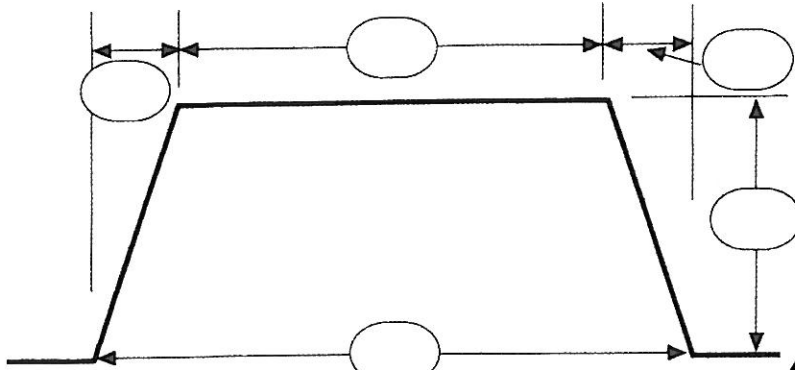


Measuring an oval pool with a rectangular bay at one end.

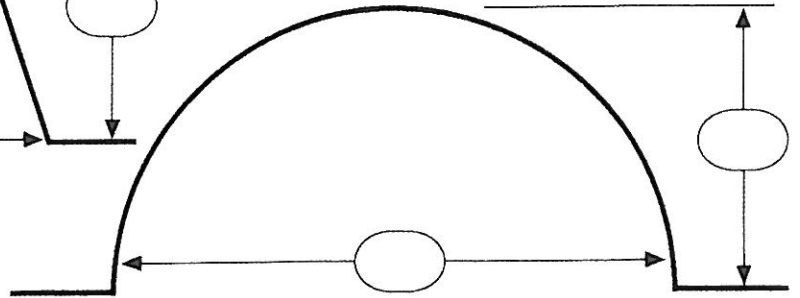


Measuring a lazy 'L' pool with a roman end at one end.

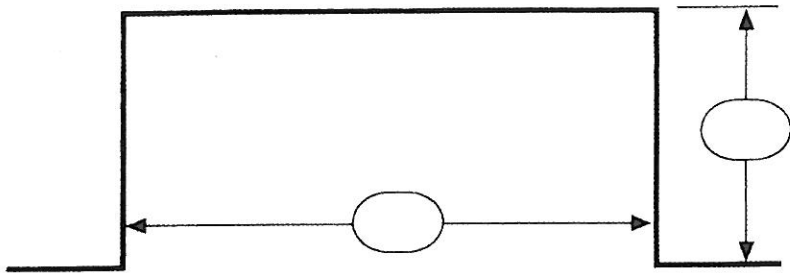




**Measuring a wedge shape bay.**



**Measuring a Roman end.**



**Measuring a rectangular bay.**

**Measuring Free Form Pools.**

When measuring for a free form pool we recommend you carry out a three point survey. Comprehensive instructions on how to complete this operation are given in the Plastica booklet 'How to Measure for a Winter Debris Cover'. Below is a table to write your dimensions from points A and B.

No.	A	B	No.	A	B	No.	A	B
1			20			39		
2			21			40		
3			22			41		
4			23			42		
5			24			43		
6			25			44		
7			26			45		
8			27			46		
9			28			47		
10			29			48		
11			30			49		
12			31			50		
13			32			51		
14			33			52		
15			34			53		
16			35			54		
17			36			55		
18			37			56		
19			38			57		