

DOMESTIC COVER LEADING EDGE

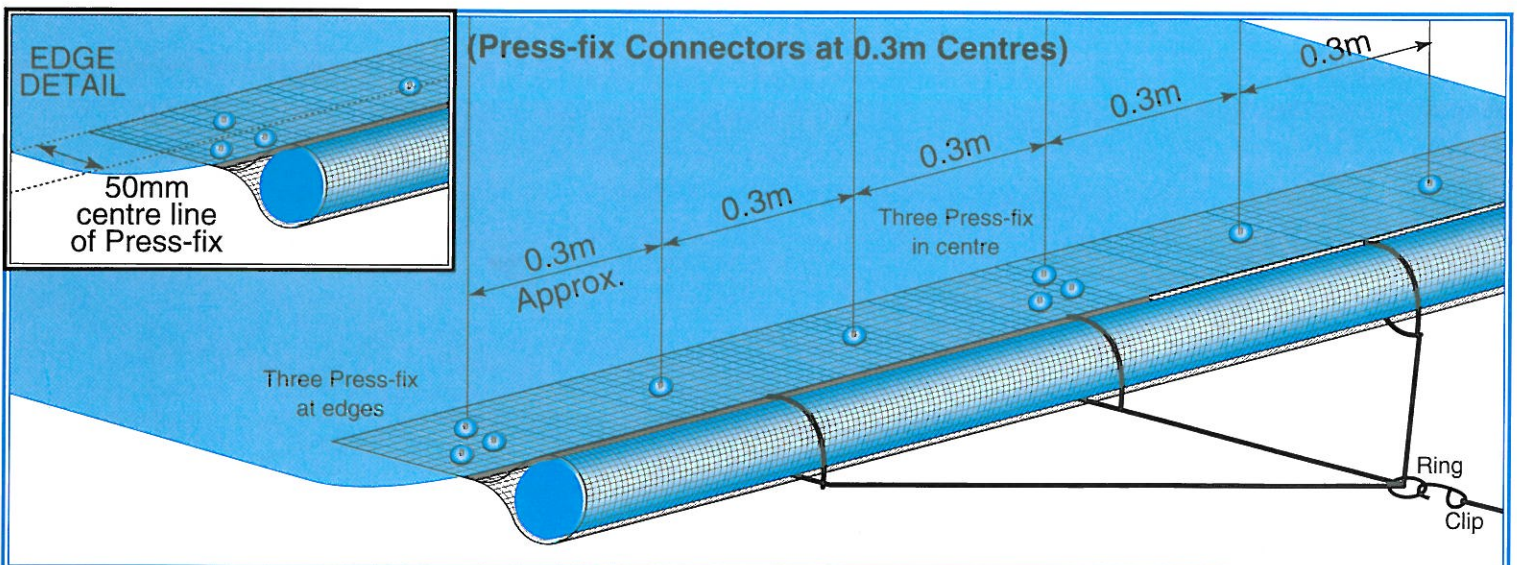
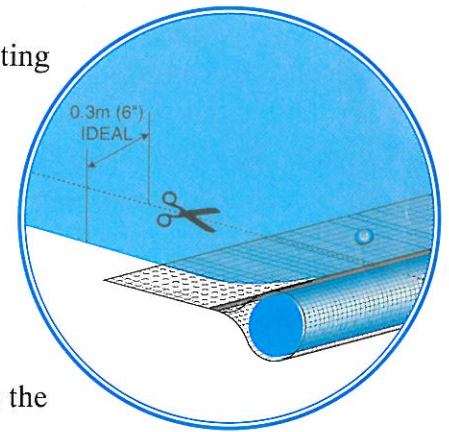
Fitting Instructions

- ❶ Make sure that the cover fits the pool correctly – trimmed to size to avoid overhanging coping and any other obstructions.
- ❷ Put the front of the cover on a hard level surface.
- ❸ Unroll the leading edge.
- ❹ The leading edge may be too long depending on the size of the cover. If the leading edge needs trimming, measure in equally from both ends of the leading edge and cut through the netting as indicated.
- ❺ Sandwich the cover between the jaws of the netting (so that one layer of the netting lays above the cover and one underneath).
- ❻ Find the middle of the leading edge and fit three press-fix connectors where shown, right through both sections of netting and cover.
- ❼ Fit press-fix connectors outward from the centre, towards the edge of the cover at 0.3m (1'0") centres. Fit three press-fix connectors at edge where shown.
- ❽ Insert the foam section and trim accordingly to fit the netting.
- ❾ Attach the tow cord hook and test the leading edge.
- ❿ Before using the leading edge, make sure the cords are not twisted thus keeping the tension on the towing cord even between the three pulling points.

KIT SUPPLIED

NETTING SLEEVE WITH CORD ATTACHED
PRESS-FIX CONNECTORS FOR ATTACHING TO COVER
FOAM POOL SECTIONS
TOWING CORD AND HOOK

The only equipment that you will need is a tape measure and a sharp knife/scissors for trimming the ends of the leading edge if required



On a Roman End

If the cover has a Roman end, fit the edges either side by sandwiching the cover as usual, but making sure both the top and bottom flaps run under the Roman end section of cover

On a Shaped Pool

On shaped covers attach the leading edge to the bottom side of the cover parallel to the reel system (set back a suitable distance).

