

# *Plastica Ltd*

## **COMMERCIAL MOTORISED POOL COVER REEL SYSTEM**

### **PRE-INSTALLATION INSTRUCTIONS**

#### Siting Of The Reel System :

To prolong the life of the system it should be placed as close to the pool edge as possible, reducing both the wear on the cover and undue strain on the motor. This said I.E.E. regulations must be adhered to and it is therefore recommended that the current issue is consulted prior to installation. As a general guide any electrics greater than 12V should be kept 2.0 m back OR 2.5 m above the pool. In the case of commercial installations it is advisable to consult directly with the local council.

If the reel system is set back from the pool edge, the height of the reel MUST be greater than the distance from the pool edge. If this is not adhered to the system will not work efficiently, requiring greater effort from the operator.

Prior to installation a suitable power supply should be allocated. This is generally a 20A 230V mains supply run from a 30mA RCD/MCB Type C, to a suitable isolator switch within 1m of the proposed siting of the motor end box. See below.

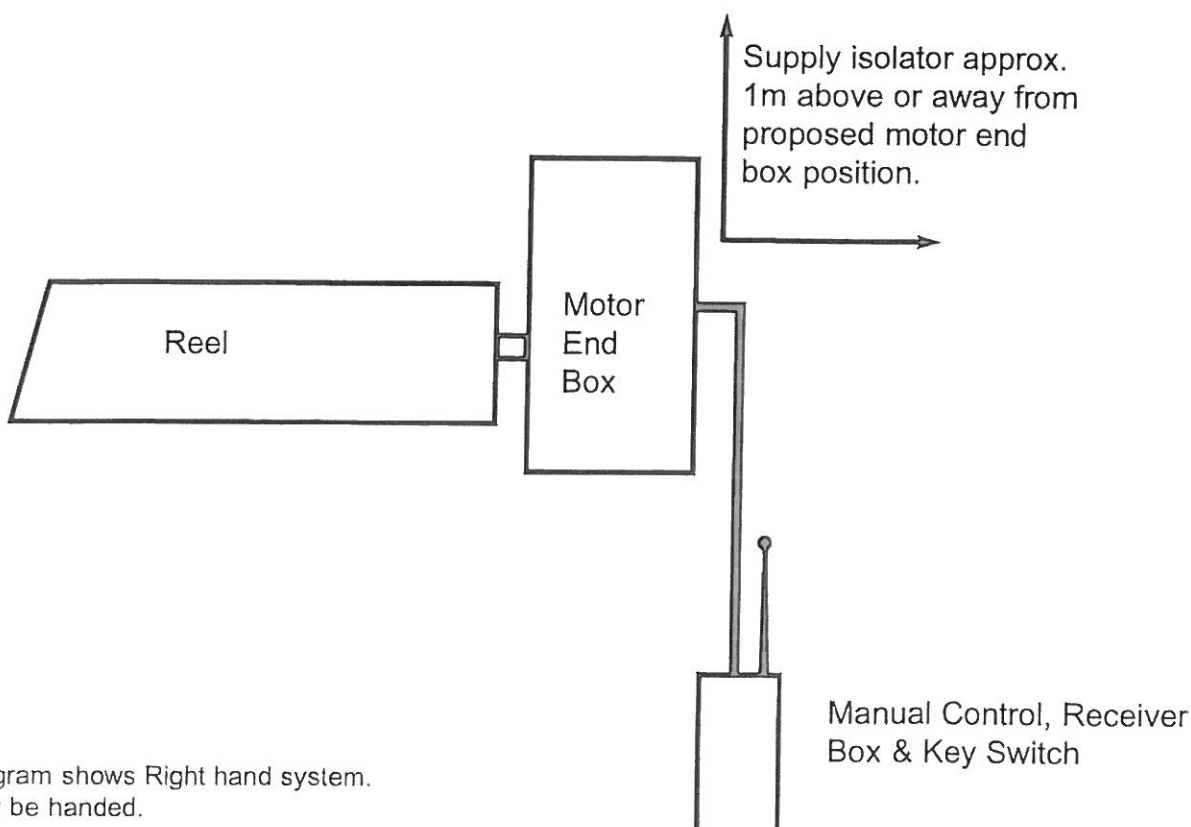


Diagram shows Right hand system.  
May be handed.