



# Premium Reel System Assembly Instructions

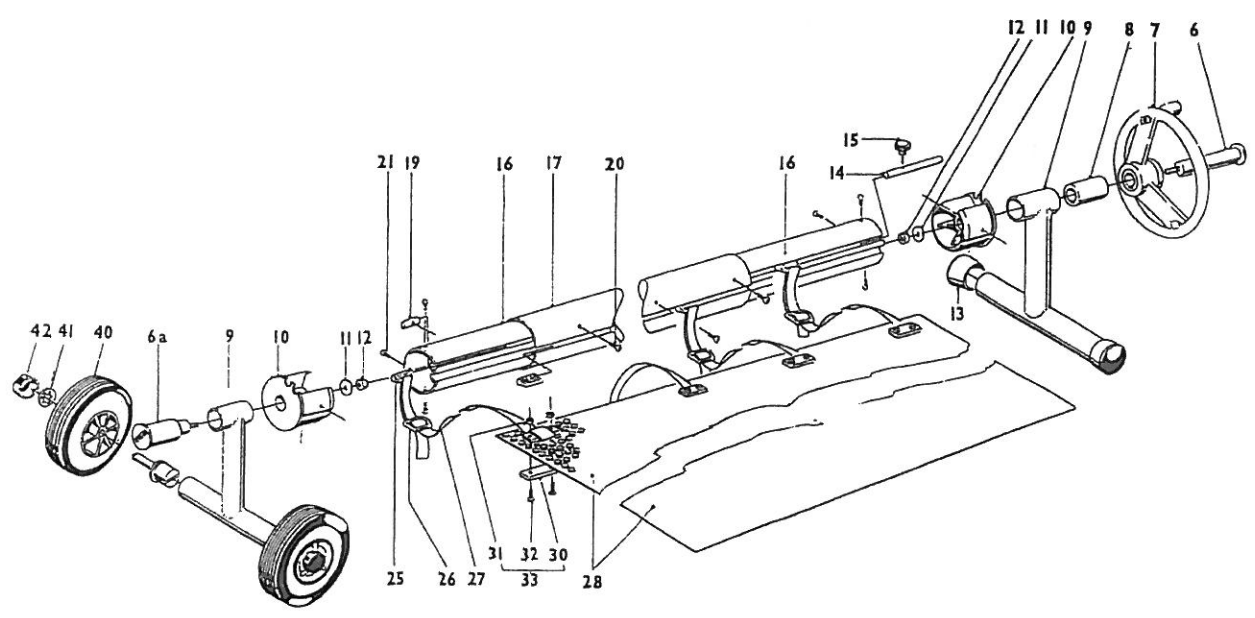


# INSTRUCTIONS

Key No.	Description	Part No.
6	Bearing Long	ERC3001
6a	Bearing Short	ERC3002
7	Hand Wheel	ERC3003
8	Bearing Sleeve	ERC3004
9	Stand Frame	ERC3005
10	End Boss	ERC3006
11	Washer	ERC3007
12	Nut	ERC3008
13	End Cap	ERC3009
14	Brake Rod	ERC3010
15	Brake Screw	ERC3011

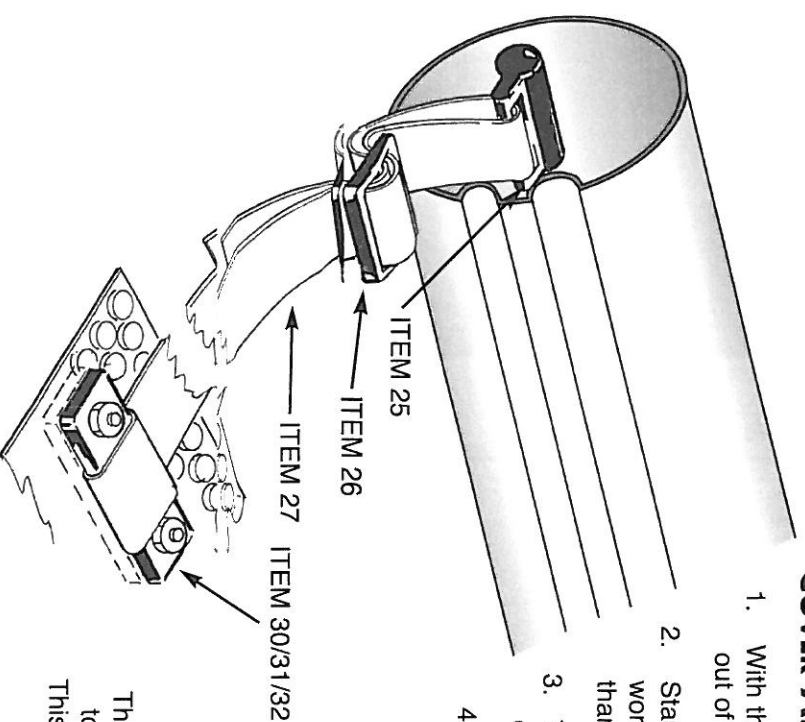
Key No.	Description	Part No.
16	Tube Inner (1.85m)	ERC3012
17	Tube Outer (2.70m)	ERC3013
19	Brass Insert	ERC3014
20	Brass Insert Screw	ERC3015
21	End Boss	ERC3016
25	Plastic Strap Insert	ERC3017
26	Strap Buckle	ERC3018
27	Strap	ERC3019
30	Plastic Strap Clamp	ERC3020
31	Strap Clamp Nut	ERC3021
32	Strap Clamp Screw	ERC3022
40/41/42	Wheel Assembly	ERC3023

**Plastica**  
 Napier Road • St Leonards-on-Sea • East Sussex • UK  
 info@plasticapools.com • www.plasticapools.com



## TUBE ASSEMBLY

1. First loosen allen screws on assembled tube and insert loose inner tube to other end.
2. Undo the allen screws fixed to the short brass insert (item 19). Slide the brass insert rods inside the channel under the outer tubes until the holes line up and insert brass screws (item 20) to clamp the tube.
3. Fit steering wheel end frame (item 9) into tube and secure with self tapping screws provided. It is important that the channel lines up with the gaps in the end frames (Failure to do so will prevent plastic insert - item 25 - from sliding into the tubes - item 16).
4. Fit non-steering wheel end frame (item 9) into tube and secure with self-tap screws provided, ensuring that the channel lines up as above.
5. Place the assembled reel system in a position square to the pool where it will be used.
6. The reel system tubes should be adjusted to the required size of the pool. Normally the tube length should be 2' (0.6m) longer than the pool width. This reel is only suitable for a maximum cover width of 17'(5.18m). (Do not exceed maximum tube extension, this is marked on the inner tubes - item 16 - by a blue line).
7. Fit straps by inserting the plastic slide bars into the channels depending on how many are required. Straps should be at approximately 2' - 3' (0.6m - 0.9m) spacings starting from the middle of the reel system.
8. Fit locking bar (item 14/15) into channel and tighten. This prevents the tube from rotating when not in use.
9. You are now ready to attach the straps to the cover.



## COVER ATTACHMENT

1. With the cover cut to the size of the pool as required pull the cover out of the water towards the reel system until the two meet.
2. Start from the middle of the cover with the first strap point and work towards the outside positioning straps at distances no more than 3' (0.9m) apart. (Ideal strap spacing 2' - 3' (0.6m - 0.9m).
3. The two outside straps should be 1.5" (40mm) in from the edge of the cover.
4. Attach long straps to plastic bar (item 25) as diagram and fit to cover.
5. Adjust strap length for even tension and tighten bolts (items 30/31/32) on cover.
6. Be sure strap lengths allow the cover to be in complete contact with the water surface when on the pool.

### NOTE

The reel is best operated as close to the pool edge as possible to avoid the cover rubbing on the copings or pool surround. This can cause damage to the underside of the cover if the reel is not positioned correctly.

**Both reel and cover should be washed down on a regular basis with fresh tap water to stop build up of chemical deposits.**

**To aid pulling the cover on and off the pool we recommend you fit a Plastica D.I.Y. leading edge, which is available through your local supplier.**

