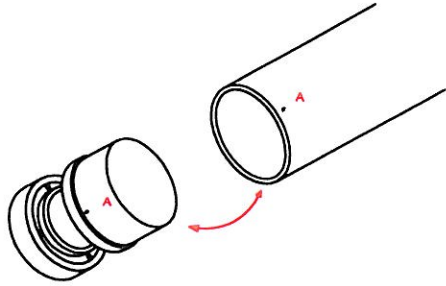


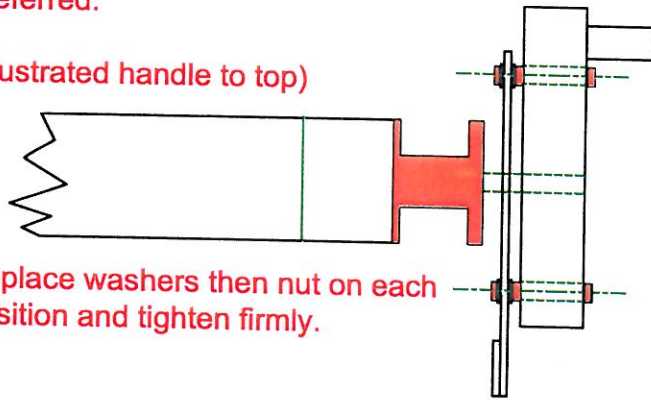
# REDUCTION GEARBOX ASSEMBLY INSTRUCTIONS

1. Fit bosses into ends of tube matching A to A and B to B



3. Take one nut and two washers from each bolt on winding gear. Fit winding gear onto end stand, handle position to top or bottom as preferred.

(Illustrated handle to top)

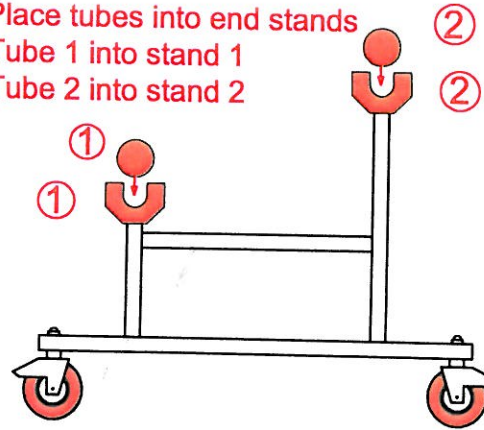


Replace washers then nut on each position and tighten firmly.

Do not over tighten, gear box mounting bolts as this allows the gearbox to move slightly, If the tube is loaded and distorted by a heavy or wet cover.

Drawing no REE101S  
Issue 1 5/01/06  
Issue 2 10/08/06 - text added

2. Place tubes into end stands  
Tube 1 into stand 1  
Tube 2 into stand 2



4. Fit handle.  
Always remove handle when pulling cover out onto pool

