

Small Slidelock Max

6M to 7M (19'6" - 23')

Max cover width 6.7M (22')

A 3M (9' 10") Outer tube (x2)

A 3M (9' 10") Inner Tube (x1)

Straps Kit (Pack of 10)

Tube Clamp (x4)

M6 x 10MM Socket Button (Pack of 10)

4MM Allen Key for Socket Button (x1)

CODE NO.

RLTS001

RLTS003

PRD20040BK

RTC001

PRD101

KEY003

Large Slidelock Max

7M to 8M (23' - 26'.3")

For cover width 6.7M to Maximum 7.7M (23' to 26'3")

A 3.5M (11'.6") Out Tube (x2)

A 3M (9'10") Inner Tube (x1)

Strap Kit (Pack of 10)

Tube Clamp (x4)

M6 x 10MM Socket Button (Pack of 10)

4MM Allen Key for Socket Button (x1)

RLTS002

RLTS003

PRD20040BK

RTC001

PRD101

KEY003

Reel Easy End Stand Common Parts

Slidelock Max Steering Wheel x1

PRD0004

Insert Slidelock Max x2

SMI001

G Slidelock Max Gearbox x1

RGK009

Base Plate Floor Mounted End Stands

Small Max System

PRD402K

Large Max System

PRD407K

Max Slidelock Base Plate & Stand (x2)

PRD0026M

M8 Bolt and Plug (x8)

PCR0020

Wall Mounted End Stand

Small Max System

PRD40021

Large Max System

PRD40022

Max Slidelock Wall Mount

PRD00035M

M8 Bolt and Plugs (x8)

PCR00020

Strap Set Spares and Optional Extras

Short Strap Black 0.43M

WEB602

Long Strap Black 1.5M

WEB603

Strap Buckle

BUC100

Black Press Fix Connector (x20)

PRD020PFBK

Black Small Wedge for Outer Tube
(Pack of 10)

WED200B

Black Large Wedge for Inner Tube
(Pack of 10)

WED100B

Black Thumb Screw

RTS100B

Standard Floor Standing End Stands

Small Max System

PRD400K

Large Max System

PRD405K

Slidelock Max T System

PRD0012MT

N Rubber Grommet (Pack of 6)

GRO001

Hole Plug (Pack of 10)

PLU200

End Plug (x6)

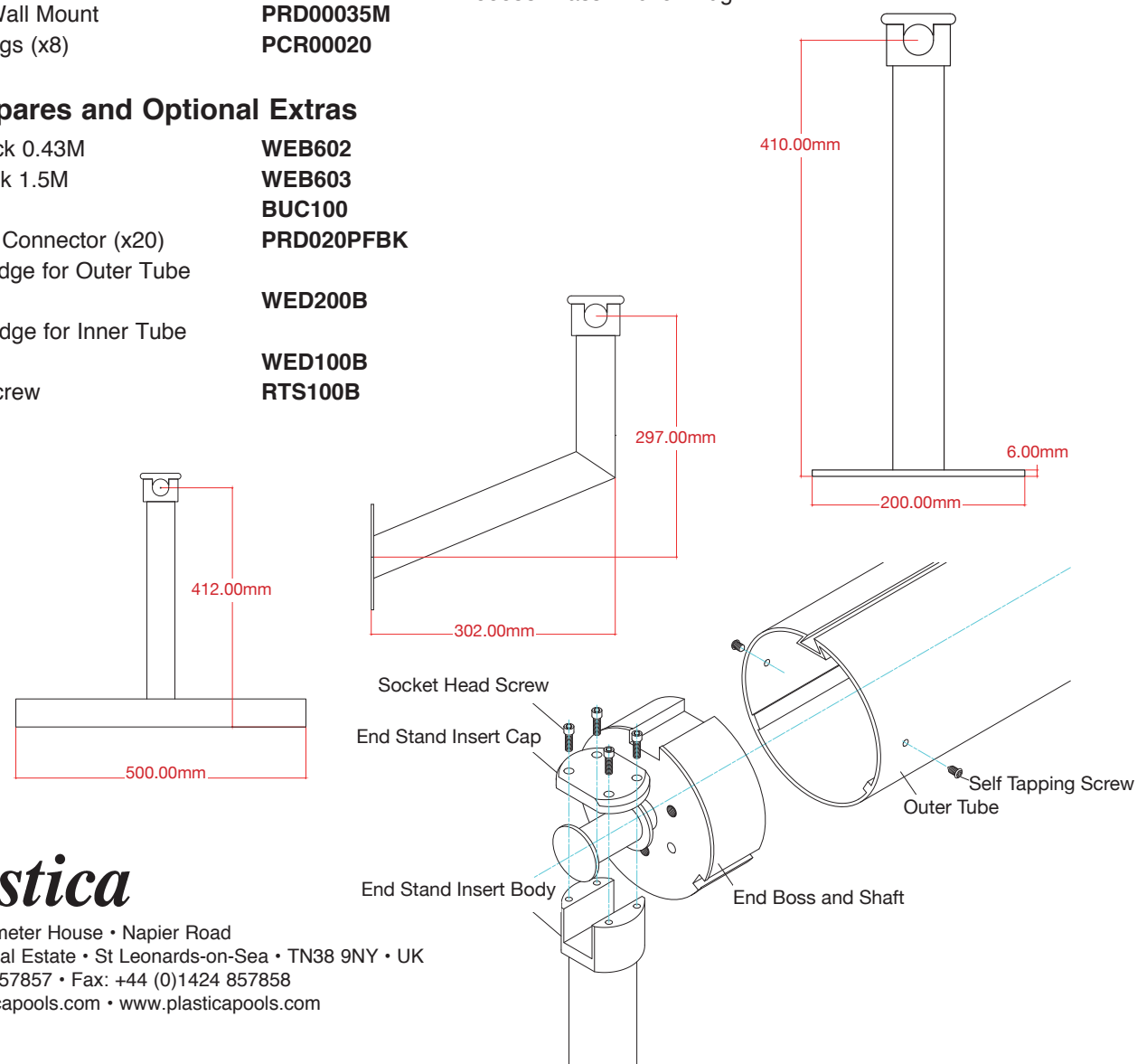
PLU005

Optional Extras for Floor Standing End Stands A Only, Not F.

PRD180 Castor Pack

PRD126 Threaded Deck Anchor Set

PRD00033 Brass Anchor Plug



Plastica

Plastica Ltd • Perimeter House • Napier Road
Castleham Industrial Estate • St Leonards-on-Sea • TN38 9NY • UK
Tel: +44 (0)1424 857857 • Fax: +44 (0)1424 857858
email: info@plasticapools.com • www.plasticapools.com

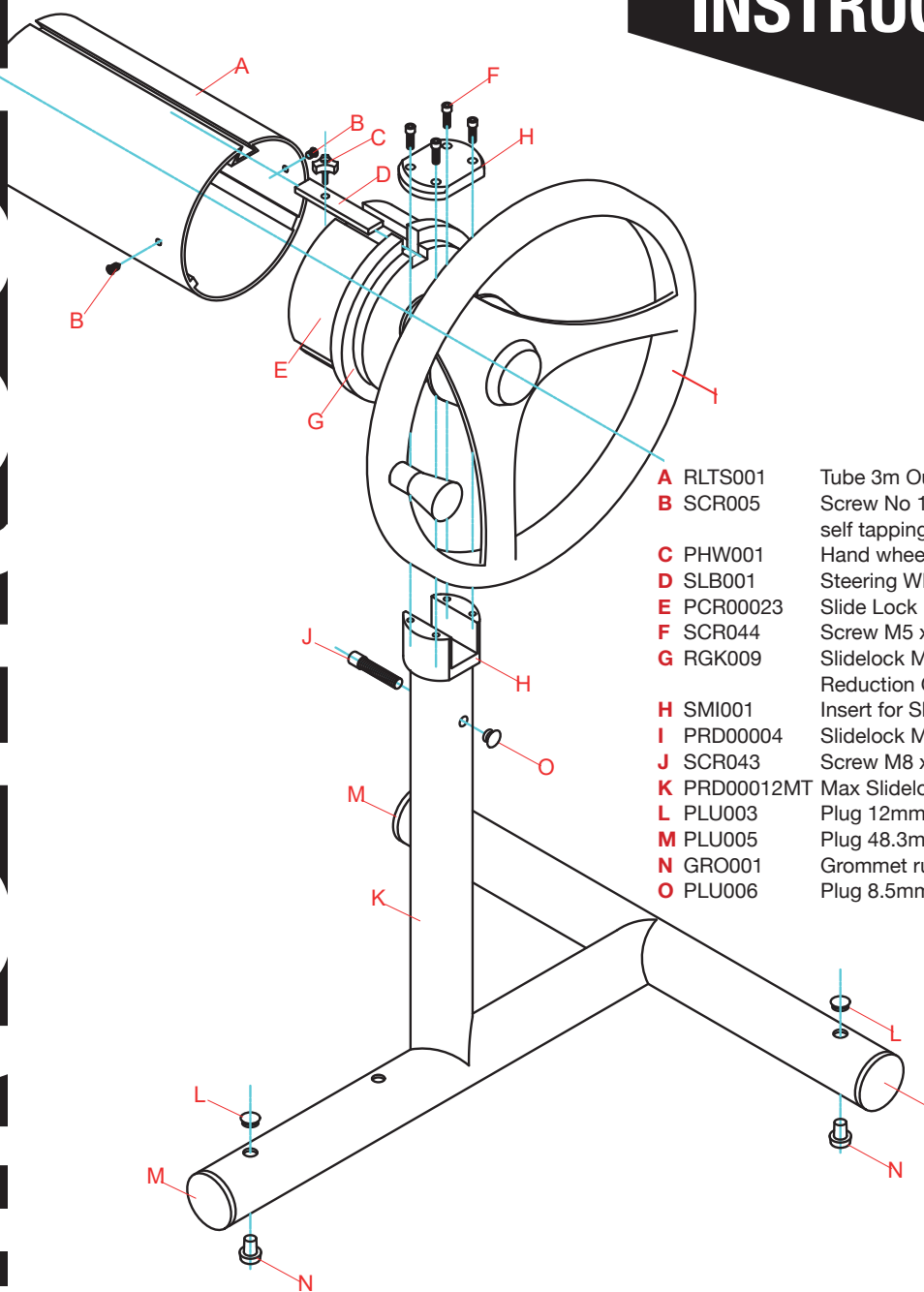
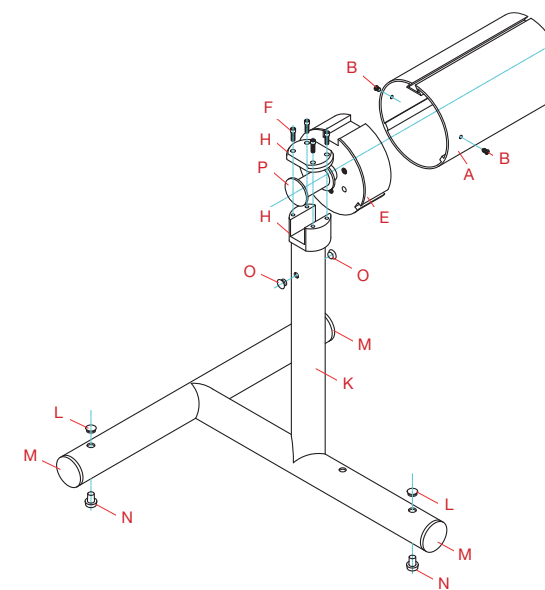
V2_11/2020

INSTALLATION

Plastica

**SLIDELOCK MAX
TELESCOPIC
REEL**

**ASSEMBLY
INSTRUCTIONS**



- A** RLTS001 Tube 3m Outer Slidelock Max Aluminium
- B** SCR005 Screw No 10 x 1/2in pan head pozi self tapping s/s A2
- C** PHW001 Hand wheel triangular male
- D** SLB001 Steering Wheel Locking Bar
- E** PCR00023 Slide Lock Max End Boss
- F** SCR044 Screw M5 x 16mm socket head s/s A4
- G** RGK009 Slidelock Max Commercial Reduction Gearbox
- H** SMI001 Insert for Slide Lock Max End Stand
- I** PRD00004 Slidelock Max Steering Wheel
- J** SCR043 Screw M8 x 80mm socket head s/s A4
- K** PRD00012MT Max Slidelock T Stand
- L** PLU003 Plug 12mm for hole black
- M** PLU005 Plug 48.3mm for Slidelock Max End Stand
- N** GRO001 Grommet rubber black
- O** PLU006 Plug 8.5mm for hole black

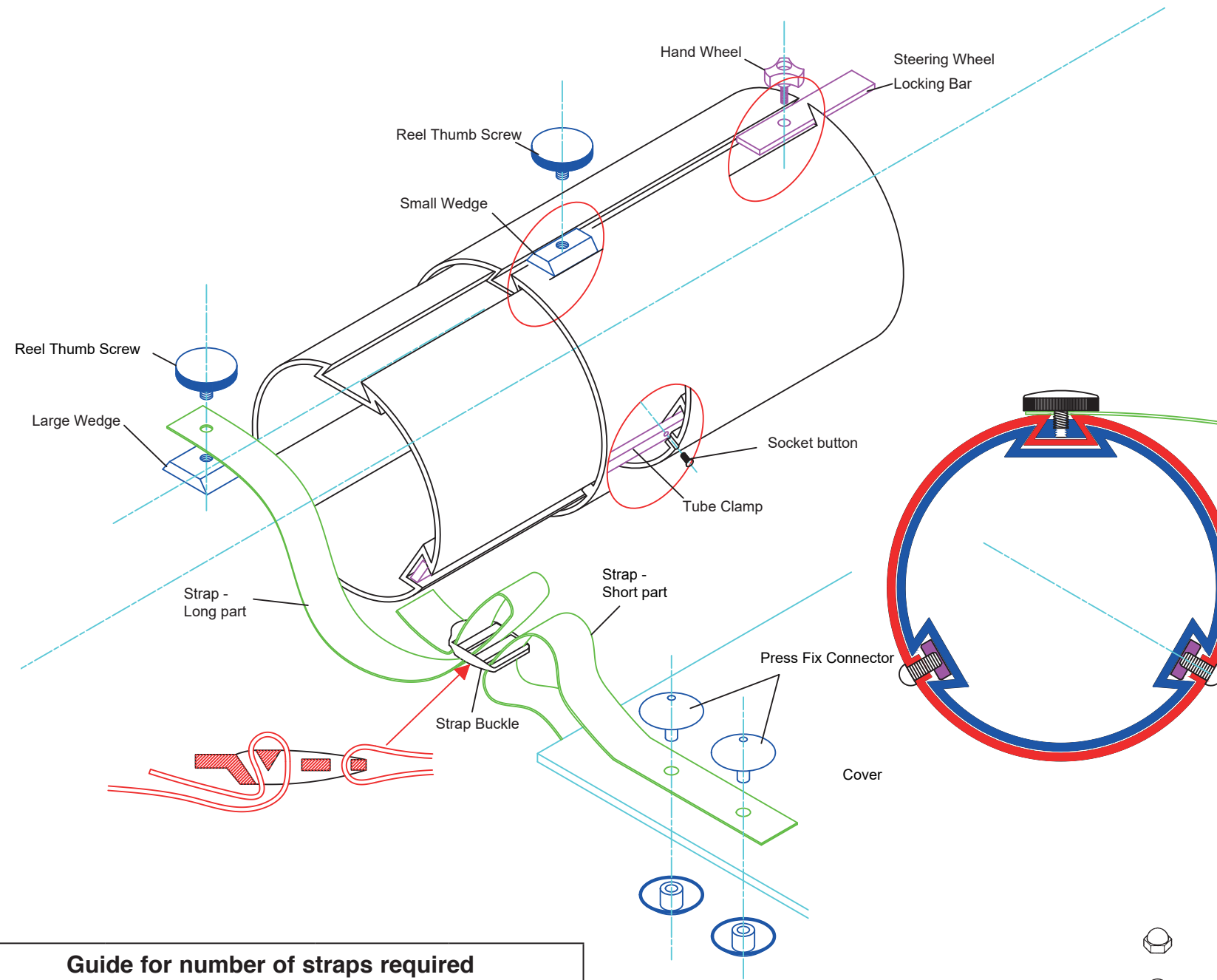
Please read full instructions before starting

TUBE ASSEMBLY

First decide the number of straps required. Use the guide at the base of the page.

1. Mark the centre of the inner tube. Slide the large wedges (if required) along this tube.
2. Join the tubes together by inserting the smaller diameter tube into the other two. Leave loose until final length has been decided.
3. Fit the assembled gearbox and steering wheel (RGK009) to the outside ends of the larger diameter tubes using the two no.10 x 1/2" pan-head pozi self-tapping screws (PRD103) (pack of 8). Fit the bearing boss to the tube in the same way.
4. Place the reel end stand on the ground the correct distance apart. Remove the insert caps. Lift the assembled tubes and rest them on the insert groove.
5. Place the assembled reel system in a position square to the pool where it will be used. It is recommended that the reel tube is between 15-30cm (6"-12") wider than each end of the cover. Then secure by screwing the clamp tight with the allen key provided.
6. The baseplate and wall mount models need to be centred with the bearings grooves. The fixing holes should be drilled and brackets bolted dead vertical.
7. Assemble all the required long straps between the wedge and the thumb screws provided and slide them loose into the tubes (the inner tube will already have the wedges inside fitted previously).
8. You are now ready to attach the straps to the cover.

PLEASE NOTE: There are spare wedges and straps supplied.



Guide for number of straps required			
	Cover Width	Inner Tube Strap	Outer Tube Strap
Small Reel	6m (19'8")	0	6
Small Reel	6.7m (22')	1	6
Large Reel	7m (22')	1	6
Large Reel	7.7m (25'3")	2	6



Gearbox and Stainless Steel steering wheel

COVER ATTACHMENT

1. With the cover cut to the size of the pool as required, pull the cover out of the water towards the reel system until the two meet.
2. Start from the middle of the cover with the first strap point and work towards the outside positioning straps at distances no more 900mm (3') apart (ideal strap spacing 600-900mm (2' - 3')).
3. The two outside straps should be 40mm (1.5") in from the edge of the cover.
4. Fix the short straps and buckles to the cover using the press fix connectors as shown on the drawing (if the male section of the press fix connector protrudes, trim excess off to eliminate possible damage).
5. The long straps can now be attached to the buckles and tensioned equally to ensure easy operation.

6. Be sure that the strap lengths allow the cover to be in complete contact with the water surface when on the pool.

PLEASE NOTE

The reel is best operated as close to the pool edge as possible to avoid the cover rubbing on the copings or pool surround. This can cause damage to the underside of the cover if the reel is not positioned correctly.

How to Cover

1. If you have a mobile system, please make sure that it is in the correct position as close to the pool edge as possible and brakes are on before use. If you are using deck anchors (PRD126) ensure they are secured down.
2. Attach the tow rope to the cover if it is not already fitted, pull it down to the other end of the pool making sure there are no objects in the way.
3. Pull the tow rope from the other end guiding the cover onto the pool smoothly, unclip and store the tow rope safely.

OPTIONAL EXTRAS:

(See page 4 for product codes)

